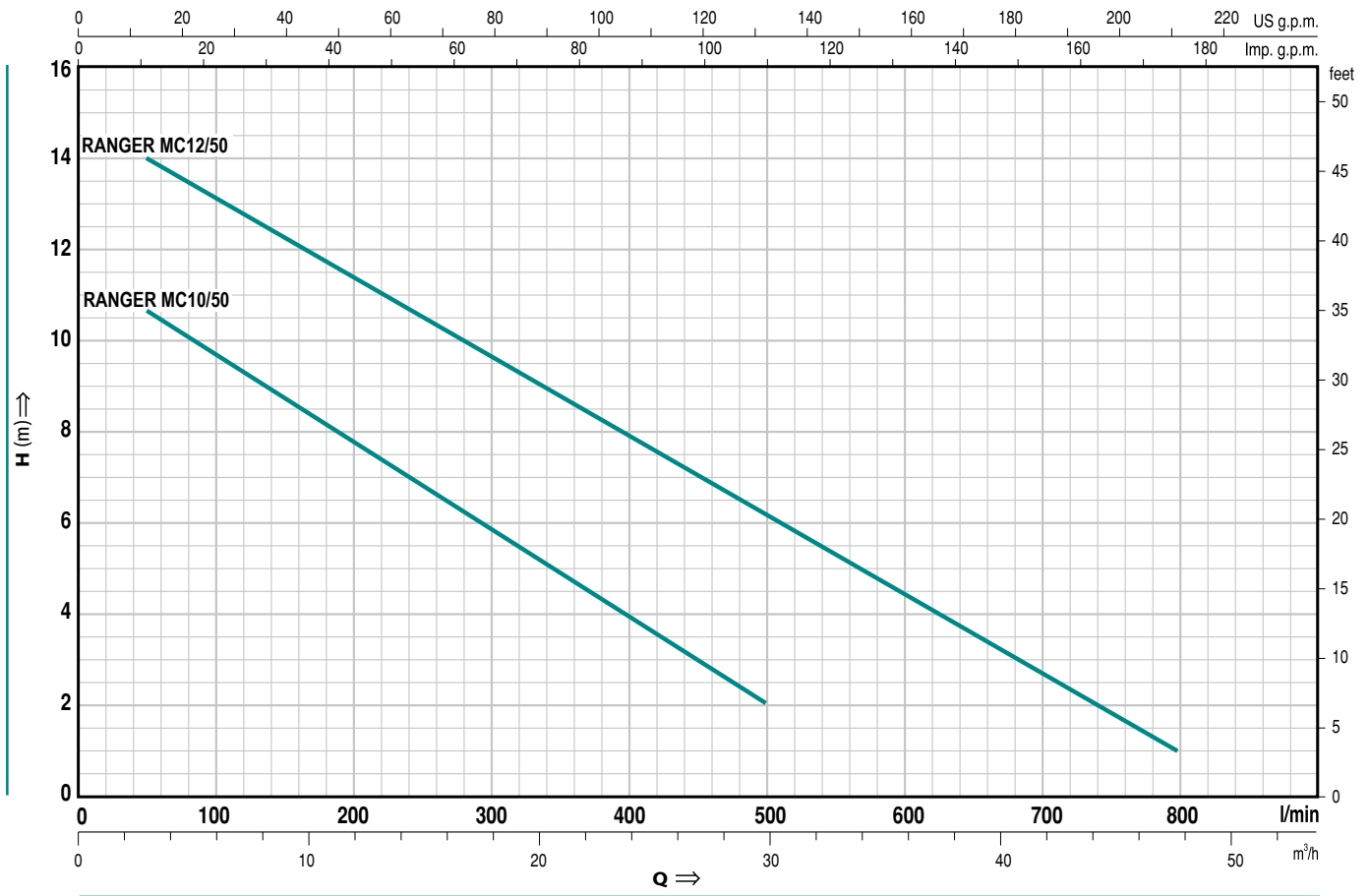




RANGER MC

DOUBLE-CHANNEL submersible pumps



Q = Flow rate H = Total manometric head

Tolerance of the performance curves according to EN ISO 9906 App. A.

TYPE		POWER		m³/h l/min	0	3	6	9	12	15	18	21	24	27	30	36	42	48
Single-phase	Three-phase	kW	HP		0	50	100	150	200	250	300	350	400	450	500	600	700	800
RANGER MC 10/50M	RANGER MC 10/50	0.75	1	H metres	12	10.7	9.7	8.7	7.8	6.8	5.9	5	4	3	2			
RANGER MC 12/50M	RANGER MC 12/50	1.1	1.5		15	14	13	12.3	11.5	10.5	9.7	8.8	8	7	6.2	4.5	2.7	1

DIMENSIONS AND WEIGHTS

TYPE		PORT DN	passage of solid bodies Ø 50 mm	DIMENSIONS mm									kg	
Single-phase	Three-phase			a	b	c	h	h1	d	e	p	∅	1~	3~
RANGER MC 10/50M	RANGER MC 10/50	2"	Ø 50 mm	110	90	150	410	153	55	adjustable	500	500	14.3	13.3
RANGER MC 12/50M	RANGER MC 12/50			120	97	163	430	158	65				16.5	14.3



RANGE OF PERFORMANCE

Flow rate up to 800 l/min (48 m³/h)

Head up to 15 m

LIMITS OF USE

Depth up to 5 m

Liquid temperature up to + 40°C

Passage of suspended solid bodies up to
Ø 50 mm

For continuous duty: minimum immer-
sion 290 mm from pump base

INSTALLATION AND USE

RANGER MC SUBMERSIBLE PUMPS ARE RECOM-
MENDED FOR DRAINING DIRTY WATER AND
SEWAGE IN THE DOMESTIC AND CIVIL SECTORS.
THEY ARE EQUIPPED WITH A "DOUBLE-CHANNEL"
STAINLESS STEEL IMPELLER WHICH ALLOWSTHE
PUMPING OF LIQUIDS CONTAINING SUSPENDED
SOLID BODIES WITH DIMENSIONS UP TO Ø
50mm AND SHORT FIBRES. THEY ARE IDEAL FOR
PUMPING DRAINAGE WATER, SEWAGE OR WASTE
WATER FOR A SINGLE DWELLING, AND FOR
CLEARING SUFACE OR NUISANCE WATER, EVEN
IF MUDDY. THESE PUMPS ARE OUTSTANDING
IN THEIR RELIABILITY IN FIXED INSTALLATIONS
WITH AUTOMATIC OPERATION.

GUARANTEE 2 YEARS subject to our general
terms of sale.

CONSTRUCTION CHARACTERISTICS

- **DELIVERY BODY:**
cast iron, with threaded port ISO 228/1.
 - **MOTOR CASING:** stainless steel AISI 304.
 - **BASE:** stainless steel AISI 304.
 - **IMPELLER:**
double-channel in stainless steel AISI 304.
 - **MOTOR SHAFT:**
stainless steel EN 10088-3 - 1.4104.
 - **DOUBLE SEAL:**
mechanical seal silicon carbide-ceramic-NBR,
with oil barrier chamber and inner lip seal to
protect the seal in the event of dry running.
 - **MOTOR:**
submersible asynchronous for continuous duty.
- RANGER MC M:** single-phase 220÷240 V - 50 Hz
with capacitor and thermal overload protector.
- RANGER MC:** three-phase 380÷415 V - 50 Hz.
 - **INSULATION:** class F.
 - **PROTECTION:** IP 68.

STANDARD FEATURES:

RANGER MC M (single-phase)

- Float switch.
- Neoprene power cable "H07 RN-F" length 5 me-
tres with Schuko plug.

RANGER MC (three-phase)

- Neoprene power cable "H07 RN-F" length
5 metres.

OPTIONS ON REQUEST

⇒ 10 metres power cable. N.B. required for outdoor



- use to comply with standard EN 60335-2-41
- ⇒ control box for three-phase pumps 1.1 kW
- ⇒ single-phase pumps without float switch
- ⇒ other voltages or frequency 60 Hz

CONSTRUCTION AND SAFETY STANDARDS

EN 60 335-1

EN 60034-1

IEC 335-1

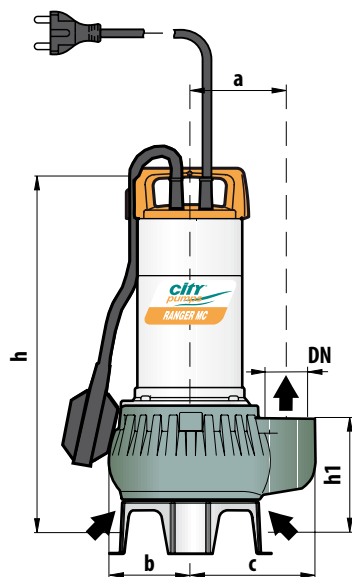
IEC 34-1

CEI 61-150

CEI 2-3



DIMENSIONS



Typical single-phase installation

