



Water & Sewage
Pumping and
Treatment Engi-

The Pump People.

Amos Pumps (UK) Ltd
Wendron, Helston,
Cornwall. TR13 0PY
Tel: 01326-573341
Email: info@amospumps.com
Web site: amospumps.com

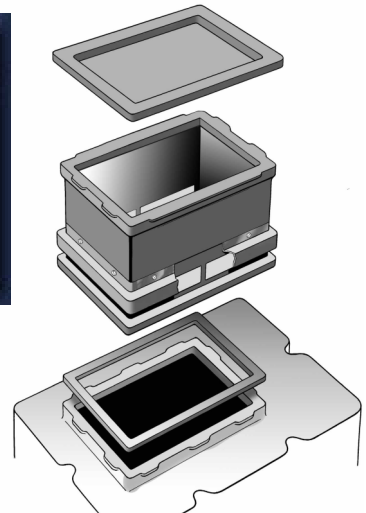
Breaktanks

*****Technical Data Sheet

Amos Poly Breaktank sets of larger flows, 50 to 1000 litres per minute for commercial & industrial units or smaller flows of 1 to 2 litres per minute by the Amos Mini Breaktank for laboratories are made to customers requirements.

All units can be constructed to WRAS regulations.

Recycling systems can be incorporated yielding a savings potential.



Tanks are available with type "A" air gap with capacities from 12 to 100 gallons and can be constructed with automatic pumping sets from the above flow rates.

Exploded view of ball valve housing enabling type "A" air gap to be achieved.

Tanks and Pumps
to WRAS approval.

Manufacturers reserve the right to change specifications without prior notice

Leaflet BT-CM Nov 01

Visit our website for details of our full range of pumps and accessories.

www.amospumps.co.uk